

Ipswich

February 2025



"Seniors helping seniors use computers and the internet"

**SeniorNet
Association Inc.**

www.seniornet.com.au

President's View

On Other Pages

Training Programme	page 2
Tech Talk	page 4
Potty History	page 7
Humour	page 8
Further Information	page 8

Social Events



Lunches

February

Friday 21st – Punjab Curry Club, 2/27 Thorn Street (corner of Limestone Street), Lunch specials \$13.

March

Friday 21st – PA Hotel. The lunch will be preceded by the Annual General Meeting and a special menu will be forwarded with the notice of the AGM.

In wishing you a Happy New Year I hope you enjoyed the December and January break.

As you can see on the following pages our trainers have put together an interesting programme for the start of 2025.

I invite you to pop into the Coffee and Chat on this Friday, 7th February to chat with the Training team and discover their plans for 2025. Please bring along any of your friends and acquaintances who may find the offerings to their taste. Our programme is your programme; therefore, let us know any suggestions you may have.

Recently we reviewed our insurance coverage. It became obvious insuring a group of our age group is not an easy task. Maybe members will need to review their personal coverage at some point.

You may remember that we planned to farewell Barbara Bottenberg, a former long-term member who has served as Newsletter Editor, Social Coordinator and Trainer, at the Christmas Party last November. Unfortunately, she could not attend that occasion.

I recently had the pleasure of visiting Barbara, renewing friendships and presenting her with her Friend of SeniorNet award. This photo commemorates this occasion.

John McVeigh



Sunday 9th February

Lunch at Springfield Garden Restaurant (Chinese). Lunch specials from \$14

Sunday 16th February

Lunch at Racehorse Hotel, Bundamba. Seniors meals \$18

Just Friends Social Group

Sunday 23rd February

Coach trip to Montville & Maleny
Travel to Montville to walk around the shops and buy lunch. After lunch go to Maleny for a short stop. The fare will be \$50. Pickup Redbank Plaza 8.00am

Sunday 30th March

Coach Trip to Tamborine Mtn

View the rainforest canopy from the Skywalk, then buy lunch and shop at Gallery Walk. Visit the Botanic Gardens in the afternoon. Cost including Skywalk \$60. Pickup 8.00am Redbank Plaza,

Just Friends is not affiliated to SeniorNet. The Editor organises group activities. Ring on 3389 2950 for information

Sponsors: Ipswich City Council, the Queensland Government and Microsoft

SeniorNet Workshop Programme: February – March 2025

Congregational Church Sunday School Hall at 117 Wildey Street, Raceview

Workshop Times 9-11am; however the hall is booked for the whole morning and this allows continued use of the facility if subject matter or participant interest requires it

Summaries of the workshop topics start on the next page

Tuesday	Wednesday	Thursday	Friday
4th February	5th February	6th February	7th February Coffee and Chat: Information Morning
11th February	12th February Intro to PowerPoint <i>Joan McKenzie</i>	13th February Intro to Computers 1 <i>Margaret and John</i>	14th February DNA Interest Group <i>Bette Fritz</i>
18th February	19th February PowerPoint Tools <i>Joan McKenzie</i>	20th February Intro to Computers 2 <i>Margaret and John</i>	21st February Social Lunch <i>Punjab Curry Club</i>
25th February	26th February PowerPoint Presentation <i>Joan McKenzie</i>	27th February Intro to Computers 3 <i>Margaret and John</i>	28th February Family History: Who, Why & When <i>Esmae Mander</i>
4th March Android Basic: Settings & Apps * <i>Ken Curwen</i>	5th March	6th March Intro to Computers 4 <i>Margaret and John</i>	7th March Coffee & Chat <i>TBA</i>
11th March Android: Apps * <i>Ken Curwen</i>	12th March	13th March Intro to Computers 5 <i>Margaret and John</i>	14th March Family Tree Maker: Recording Your Ancestors <i>Bette Fritz</i>
18th March	19th March Facebook Pros and Cons <i>Joan McKenzie</i>	20th March Intro to Computers 6 <i>John and Margaret</i>	21st March AGM and Social Lunch <i>PA Hotel</i>
25th March Android: Games * <i>Ken Curwen</i>	26th March	27th March Intro to Computers 7 <i>John and Margaret</i>	28th March Family History: Immigration & Shipping <i>Esmae Mander</i>

NOTE: All Workshops are subject to change if Trainers are unavailable due to illness or other commitments. If possible changes will be listed on the SeniorNet Website or you can contact John McVeigh—Training Coordinator – ph 07 3281 8548 – email training@seniornet.com.au to confirm workshops are as listed. It is not necessary to make bookings for Workshops.

Please bring your USB drive with you as it is helpful in many lessons.

* For courses and workshops involving mobile devices (iPads and Androids) please make sure your device is charged and that you have your cable with you

Workshop Topics Described

Android: Apps

This workshop extends our journey through the land of Android apps, stopping at interesting ones, loading them up and having a play. You can then decide whether to keep them or remove them from your Android tablet or phone.

Android Basic: Settings and Apps

Learn about the most common settings for your Android device and follow this with a look at some useful Android apps, loading them up and having a play. You can then decide whether to keep them or remove them from your Android tablet or phone.

Android: Games

This will be a round-up of the best games of 2018, plus a few old favourites. Be sure to have your Google account details with you in case you decide to install your game of choice.

DNA Interest Group

Have you done a DNA test? Are you considering doing one and don't know who to test with or where to go next? Come along, we can give you options, and maybe even put you on to a cheaper price for DNA tests or subscriptions. Through sharing what we know and listening to others I'm sure we will make our journey much more enjoyable and a lot less frustrating. There is so much more to DNA than the ethnicity that is promoted to entice you in.

Facebook pros and cons

Facebook can be very useful but there are some issues to be aware of when using the app. To take part in the lesson you will need a laptop or other device and a Facebook account.

Family History: Immigration & Shipping

In this Workshop we will be investigating 'Departure ports, Passenger Lists, Shipping, Voyages & Arrival'. Learn to find your ancestor's name on Qld Govt data portal and shipping lists. NSW shipping lists are not searched the same as Queensland's. There will be a practical session to acquaint yourself with both.

Family History: Who Why & When

How much do you really know about your emigrant ancestors?

Were they reluctant, willing, assisted, unassisted, bounty, nominated, remittance, convict, crew or military passengers? Australia needed more migrants, Governments offered free and subsidised fare or even 'land orders' to those who paid their fare and of suitable age and skills. Enjoy a practical session and discussion

Family Tree Maker: Recording Your Ancestors

This is a powerful and user-friendly computer software program designed to help you create, manage, and share your family's history. It offers a wide range of tools to build detailed family trees, attach photographs and documents, print reports or charts, and uncover rich genealogical information. You also have the option to sync with Ancestry if you wish, (using your preferred privacy level), and work on it there as well. We can show you how to get the best out of this very versatile program.

Introduction to Computers 1

If you are new to using a computer or are not confident around computers, come and find out about the basics including what you see on the screen, what all those keys on the keyboard do and how to make good use of the mouse

Introduction to the Computer and Accessories.

Personalization your Computer.

Introduction to Computers 2

Practice using the keyboard and mouse. Explore the ease of access features of Windows 10 and 11.

Introduction to Computers 3

Safety on Line, Beconnected, esafety .

Learn how to research the internet using web browsers

Introduction to AI

Introduction to Computers 4

Workshops on line. Exploring the Be-Connected library and on-line offerings.

Introduction to Computers 5

Introduction managing the filing and retrieval (1) of information created and downloaded.

What do we do with our downloads? Do we really need to keep them? If so what options are available to us.

Introduction to Computers 6

Introduction managing the filing and retrieval (2) of information created and downloaded.

What do we do with our downloads? Do we really need to keep them? If so what options are available to us.

Introduction to Computers 7

Learn how to use email and about managing the emails once you have read them

iPad troubleshooting

There are some useful steps you can take before heading to the Apple Store with a misbehaving iPad. To take part in the lesson you will need an iPad or iPhone.

PowerPoint

PowerPoint and similar apps are used to help deliver information or a message to an audience; the “slide shows” created by these apps are used during lessons, speeches, demonstrations etc.

During the three lessons we will create a presentation to accompany a speech given in honour of a (fictitious) person celebrating their 100th birthday.

To take part in the lessons you will need a laptop or device with the PowerPoint app or a similar app. I will be using a laptop and the PowerPoint app.

Welcome New Members



Tech Talk

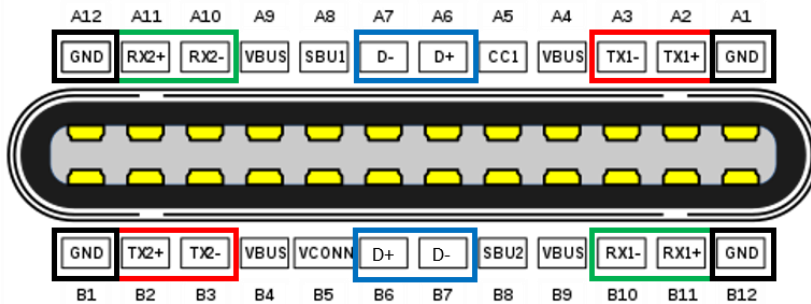
Trap for the Unwary

I recently ran into a problem (of my own making); I spent nearly an hour trying to persuade my PC to look at my tablet using its USB lead.

After considerable googling I found a troubleshooting guide - and step 1 was “are you sure the cable is a data cable”. Of course not, it was the charger cable.

For reference, the USBC pinout is as shown on the next page; you can see that the top pin set is a mirror image of the bottom set. Thus if the plug wiring is connected on one side of the plug it does not matter which way around the plug is when inserted into the two-sided socket. The wiring of a charging cable will only be connected at A1, A4, A9 and A12; the remaining pins are used for data.

Ken Curwen



Female USB-C
Connector

New Pricing for Microsoft 365

Microsoft has raised the subscription price for Microsoft 365. It is now \$159 for the Personal version (1 user installed on up to 5 devices) and \$179 for the Family version (up to 6 users, five devices each). If you have a recurring subscription that is what you will be charged at the next renewal (if it does not increase again in the meantime).

Microsoft 365 can be obtained for less from other sources, but they are raising their prices as well. saveonit.com.au, for example, currently lists Personal for \$108 and Family for \$128.

Many people don't realise you can purchase a subscription key anytime and add it to your Microsoft account – you do not need to wait for your renewal date. The new subscription will become active at renewal time. Microsoft allows 'stacking' of up to 5 additional subscriptions. The subscription key must be for the same version of Microsoft 365 you have.

If you want to take advantage of any savings you find, you must first ensure you have recurrent billing turned off. You can check this by logging into your Microsoft account.

If you are finding it too expensive, you could also switch to the excellent free alternative, LibreOffice. Again make sure you have recurrent billing turned off if you intend to do this.

The End of Microsoft Publisher

Microsoft Publisher is a desktop publishing program which was released in 1991. It is included in the current version of Microsoft 365 and has been included in the Professional version of perpetual versions of Office. Publisher was popular as an easy-to-use publishing program to produce flyers, posters, newsletters and brochures. Its biggest flaw was a very closed proprietary file format which made it difficult/impossible to open Publisher files in other programs.

Microsoft has announced that Publisher will go end of life in October 2026.

In October 2026, Microsoft Publisher will reach its end of life. After that time, it will no longer be included in Microsoft 365 and existing on-premises suites will no longer be supported. Until then, support for Publisher will continue and users can expect the same experience as today.

Support for the perpetual version of Publisher will end in October 2026, when Office LTSC 2021 reaches end of support. **Microsoft 365 customers will not be able to access Publisher from that date forward** (my emphasis).

My reading of that is if you have been using Publisher as part of Microsoft 365, it is going to be removed in October 2026 (likely as part of an update) and you will therefore have no way to open your existing documents. Sure that is around 2 years away but if you have important Publisher documents you should be making plans as to alternatives for access.

From within Publisher itself, you can export documents to PDF format. While you will not be able to edit, you will still be able to open the document in any PDF reader (eg Adobe Reader, Edge).

The free LibreOffice suite contains a program called LibreDraw. This will open Publisher documents and should allow some editing. I have never used this (I am not a user of Publisher) so I cannot say how good the conversion is but it will not cost you anything to download LibreOffice and give it a go.

This is different to other end of life announcements. End of life signifies withdrawal of support but if you are OK with that you can continue to use the product. Because Microsoft 365 is a subscription product and Publisher

is no longer going to be included in the subscription it will be removed from your installation. At least that is the way I read the announcement.

Phil Buchanan

Editor's Comment

This is a classic example of shrinkflation. First raise your product price by 25%, then remove 20% of the product from the package.

I have therefore been forced to return to Word to create the Newsletters (switching to Publisher was quite a learning process – now a wasted effort). The only plus – it will be far easier to find a qualified Newsletter Editor to replace me when I can no longer hold the office.

Ken Curwen

Viewing FTA TV via Internet

Free to air television stations broadcast their content over the Internet – referred to as IPTV. This is the television content you see when using one of the streaming boxes. You can access this content on a computer using an app available in the Microsoft Store.

Open the Microsoft Store and search for IPTV FTW. This will locate an app published by Thirty Hippos. This is a free app with no embedded advertising. You may need to login to the Microsoft Store with your Microsoft account before you can get the app.

Once the app is download and installed, open it and it should ask you to enter a Channel Playlist URL. There is a link for More Information which will send you to a website with these playlists.

<https://github.com/tomhollander/IptvFtw/wiki/Playlist-sources>

Alternatively if you just want the one for Brisbane television, enter

<https://i.mjh.nz/au/Brisbane/kodi-tv.m3u8>

If you are typing it in, make sure you enter it exactly (and with a capital B for Brisbane). Otherwise go to the website linked and copy the link from there. If you want the television channels from another capital, enter the name in place of Brisbane in the above link.

Click the Apply button and the television channels will be loaded. The channels should appear across the top of the screen (if they don't click on the window). Scroll across the channels using the mouse scroll wheel.

There are many playlists for other areas of the world (you can find links from the page linked from More Information). You will find many of these channels will be geoblocked – you cannot watch them outside the country.

One thing you may find – when there is a major sporting event on one of the stations (for example the recent cricket) it will not be shown on IPTV channel. An alternative program will be broadcast instead.

Phil Buchanan

Potty History

When I wrote about Thomas Alexandre Dumas last year, I was surprised to find that “American Legion” he joined in 1792 was commanded by the Chevalier de Saint Georges; I had only heard of the Chevalier as a composer. On checking his full story in Wikipedia I realised it should be retold here – in two bites. It is notable that people who lived through the French revolution led such interesting lives!

Chevalier de Saint-Georges (Part 1)

The Chevalier de Saint-Georges, born Joseph Bologne in 1745, was a man of extraordinary talents who defied the limitations of his time. Saint-Georges was a master swordsman, a virtuoso violinist, a celebrated composer, a secret agent and a leading soldier.

He was born in Guadeloupe, a French colony in the Caribbean; his father was Georges Bologne de Saint-Georges, a wealthy plantation owner, and his mother was Nanon, an enslaved African woman. However, she was treated as his wife as will be seen. In 1747, Georges was accused of murder and fled to France. The next year he was visited by Nanon and Joseph. After two years Georges was granted a royal pardon and returned to Guadeloupe.

In August 1753, recognizing Joseph's prodigious talents, the seven-year-old was taken to France for his education, and installed in a Jesuit boarding school in Angoulême so that his uncle Pierre could keep an eye on him. Two years later Bologne de Saint-Georges and Nanon reunited with their son Joseph and moved into a spacious apartment in Paris.

The Swordsman

By his teenage years, Saint-Georges had already gained a reputation as a fencing prodigy. He trained under Nicolas Texier de La Boëssière, one of France's most renowned fencing masters, and quickly rose to prominence in the sport. He was still a student when he defeated Alexandre Picard, a fencing master in Rouen, who had been mocking him in public as "Boëssière's upstart mulatto". That match, bet on heavily by a public divided into partisans and opponents of slavery, was an important episode for Joseph. His father rewarded Joseph with a horse and buggy and he was made a Gendarme du Roi (officer of the king's bodyguard) in Versailles and a chevalier (knight). He then adopted the suffix of his father's plantation and was known as the "Chevalier de Saint-Georges".

The Man About Town

At the fencing academy, Joseph met Chevalier Lamotte, who became a horn player in the King's orchestra. He took Joseph into Paris high society. A fine dancer, Saint-Georges was invited to balls and welcomed in the salons of highborn ladies. He is supposed to have had a love affair with the Marquise Marie-Josephine de Montalembert, salonnière and novelist, the young wife of an old general. Her husband (Marc René, Marquis de Montalembert) was a general of military engineering in the Queen's Court. Their affair was discovered and it was rumoured that they had a child.

One evening in 1779, around midnight, Saint-Georges was attacked in the streets of Paris when returning home. Saint-Georges and his friend valiantly defended themselves and were fortunately saved by the night watch. It is suggested that the General may have had a hand in this assault.

The Musician

While Saint-Georges' fencing skills were unmatched, it was his musical talent that cemented his place in history. He studied composition and violin under notable musicians of the time, including François-Joseph Gossec. By the late 1760s, he had become a virtuoso violinist and a sought-after composer. In modern times he has been called the "Black Mozart".

Saint-Georges served as the concertmaster and eventually the conductor of the Concert des Amateurs, one of Paris's leading orchestras. Under his leadership, the orchestra became one of the finest in Europe. His compositions, which include symphonies, string quartets, and operas, were celebrated for their technical sophistication and emotional depth.

Despite his accomplishments, Saint-Georges faced racial discrimination throughout his life. In one notable instance, he was nominated to lead the Paris Opéra, but his appointment was blocked by members of the company who objected to his African heritage. To defuse the brewing scandal, Louis XVI, then only one year on the throne, took the Opéra back from the city of Paris to be managed by his Intendant of Menus-Plaisirs du Roi. Queen Marie-Antoinette preferred to hold her musicales in the salon of her private apartment in the palace or in the recently established Théâtre de la Reine in the gardens of Versailles. She limited the audience to her intimate circle and a few musicians, among them the Chevalier de Saint-Georges.

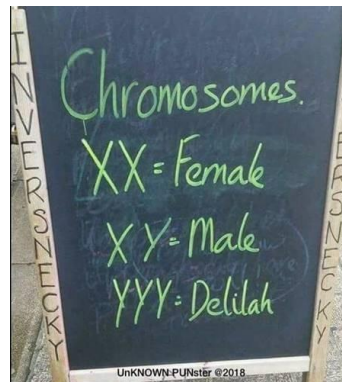
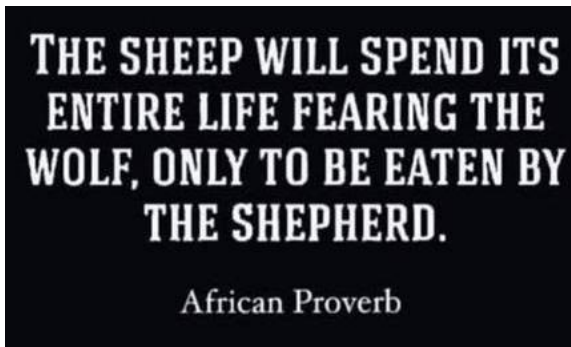
The Secret Agent

In spring 1787, Saint-Georges stayed in London with fencing masters Domenico Angelo and Henry, his son, whom he knew as an apprentice from early years in Paris. They arranged exhibition matches for him, including one at Carlton House, before the Prince of Wales. After sparring with him the prince matched Saint-Georges with several renowned masters. One was La Chevalière d'Éon, aged 59, in a voluminous black frock. A painting showed the Prince and his entourage watching Mlle D'Éon score a hit on Saint-Georges, giving rise to rumours that he allowed it out of gallantry for a lady. But, as Saint-Georges had fenced with dragoon Captain d'Éon in

Paris, he probably was deferring to her age. Saint-Georges also made contact with the abolitionist (anti-slavery) Members of Parliament William Wilberforce, John Wilkes, and Reverend Thomas Clarkson. These contacts would prove useful in his next foray into England. [To be continued]

Ken Curwen, with much input from Wikipedia

Humour



These jokes were sent to me by Alice some time back.

Murphy says to Paddy,

"What ya talkin into an envelope for?"

"I'm sending a voicemail ya fool!"

I went to the cemetery yesterday to lay some flowers on a grave.

As I was standing there I noticed four grave diggers walking about with a coffin.

Three hours later and they're still walking about with it.

I thought to myself, they've lost the plot!

When I was in the pub, I heard a couple of plonkers saying that they wouldn't feel safe on an aircraft if they knew the pilot was a woman.

What a pair of sexists.

I mean, it's not as if she'd have to reverse the bloody thing!

My daughter asked me for a pet spider for her birthday, so I went to our local pet shop and they were \$70!

Blow this, I thought, I can get one cheaper off the web.

My neighbour knocked on my door at 2:30am this morning, can you believe that! 2:30 am!

Luckily for him, I was still up playing my Bagpipes.

The wife has been missing a week now.

Police said to prepare for the worst.

So I have been to the charity shop to get all her clothes back.

Just got back from my mate's funeral.

He died after being hit on the head with a tennis ball. It was a lovely service.

Paddy says "Mick, I'm thinking of buying a Labrador. "Bugger that" says Mick, "have you seen how many of their owners go blind?"

Further Information

SeniorNet Committee

The listing of the 2023-2024 committee can be found [here](#).

Computer Repairs

A listing of repairers who our members have found satisfactory can be found [here](#).

Disclaimer: While we have made every effort to give accurate information and tips in this Newsletter, we cannot guarantee that their use will provide the desired results in all circumstances. In no event will the Editor or SeniorNet be liable for direct, indirect, special, incidental or consequential damages arising out of the use of URLs and tips given in this newsletter. *We recommend members verify details before acting on information or suggestions contained herein.* The Editor would appreciate being informed of any erroneous information so that it may be corrected.

Ken Curwen. Newsletter Editor.